

D-FX Technologies

Automatic Wireless

Water Level Controller



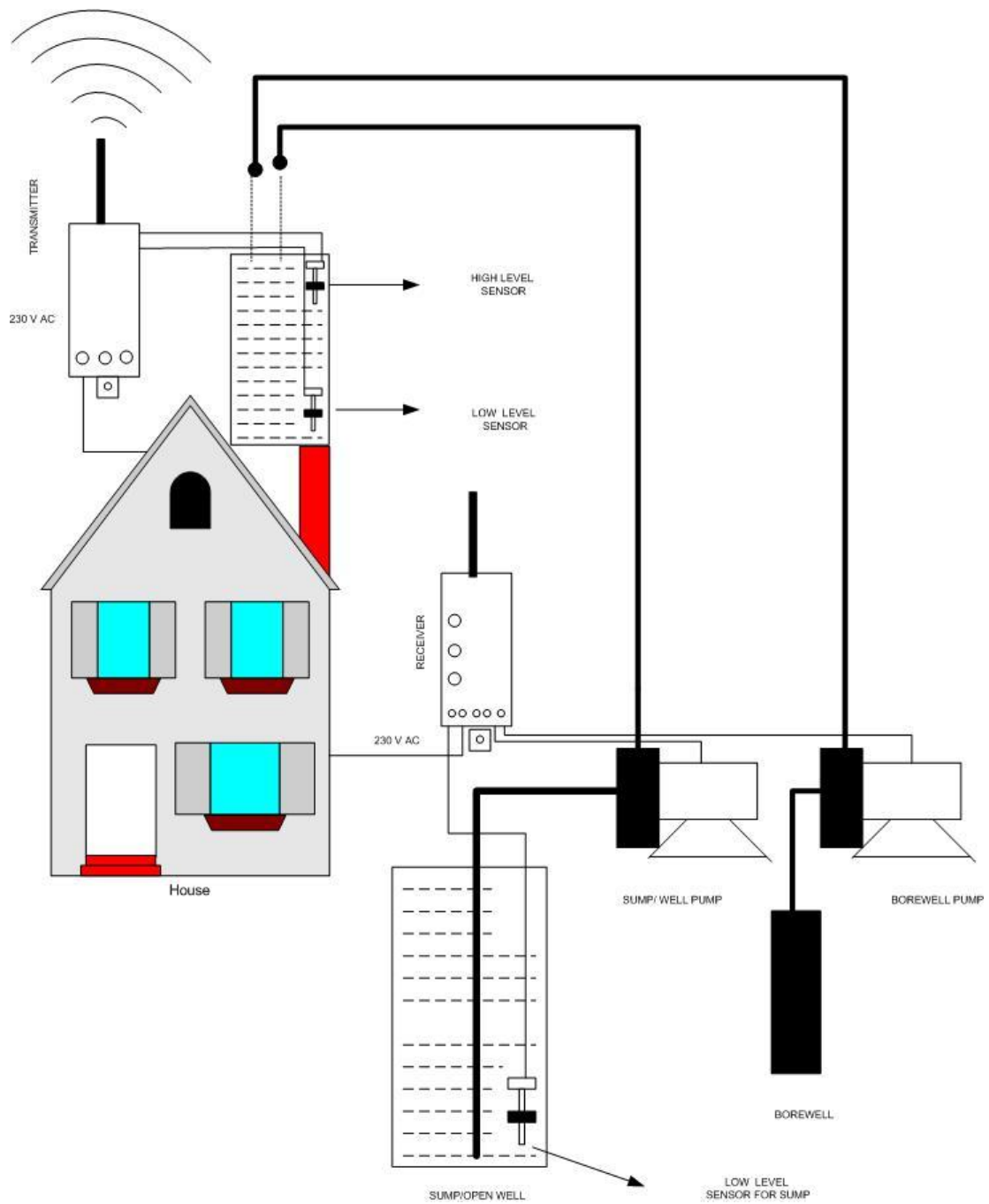
INSTALLATION MANNUAL

#353, Jeevanandham Road, Sangapur, Rathinapuri Po, Coimbatore – 641027.Tamilnadu, INDIA.

Phone: +91-422-2330724, Mobile: +91-98439 99001

Email: info@d-fxtechnologies.in, Website: www.d-fxtechnologies.in

D-fx Technologies



#353, Jeevanandham Road, Sanganur, Rathinapuri Po, Coimbatore – 641027.Tamilnadu, INDIA.

Phone: +91-422-2330724 Mobile: +91-98439 99001

Email: info@d-fxtechnologies.in, Website: www.d-fxtechnologies.in

Installation Method of Transmitter Unit

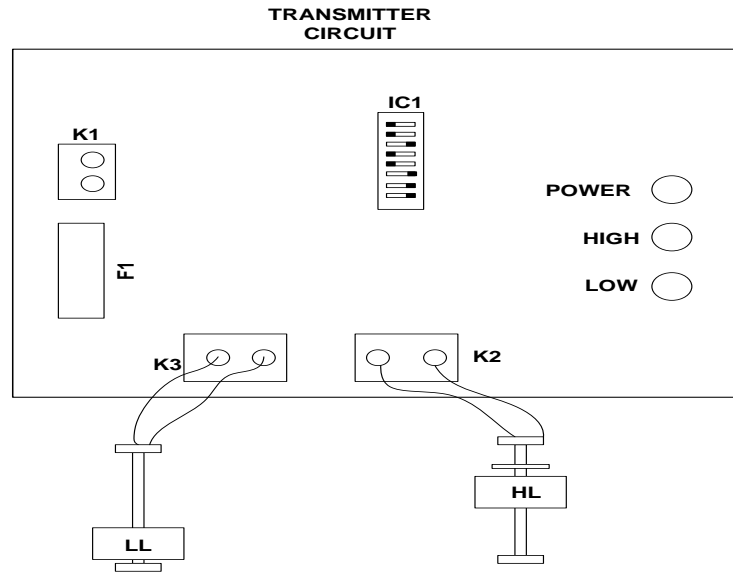


Fig 1

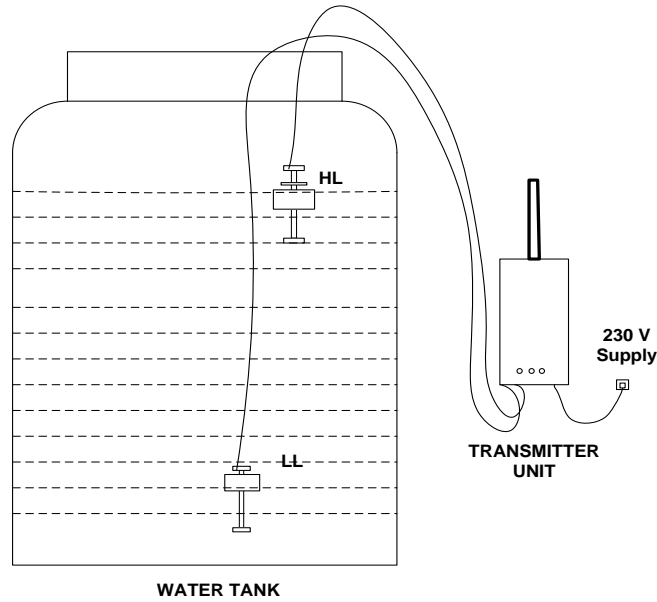


Fig 2

#353, Jeevanandham Road, Sangapur, Rathinapuri Po, Coimbatore – 641027.Tamilnadu, INDIA.

Phone: +91-422-2330724 Mobile: +91-98439 99001

Email: info@d-fxtechnologies.in, Website: www.d-fxtechnologies.in

Installation Method of Receiver Unit

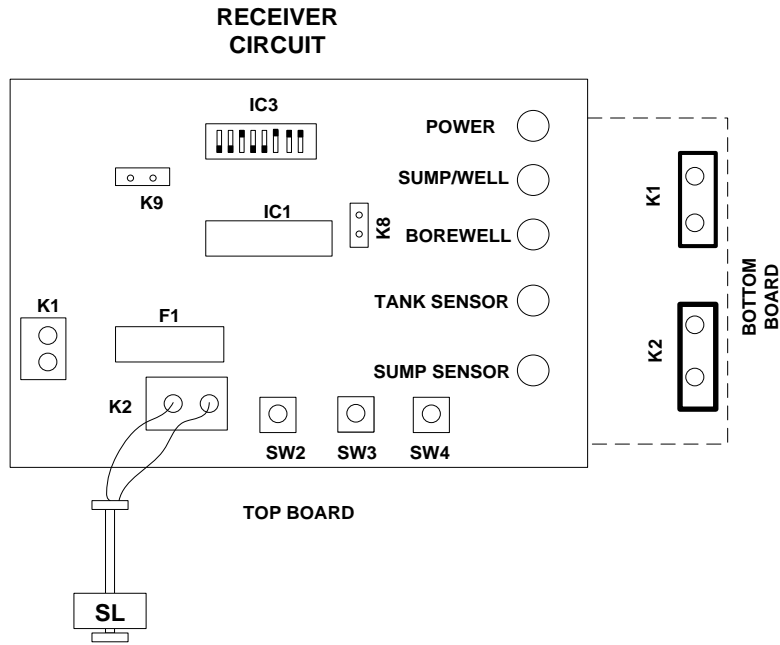


Fig 3

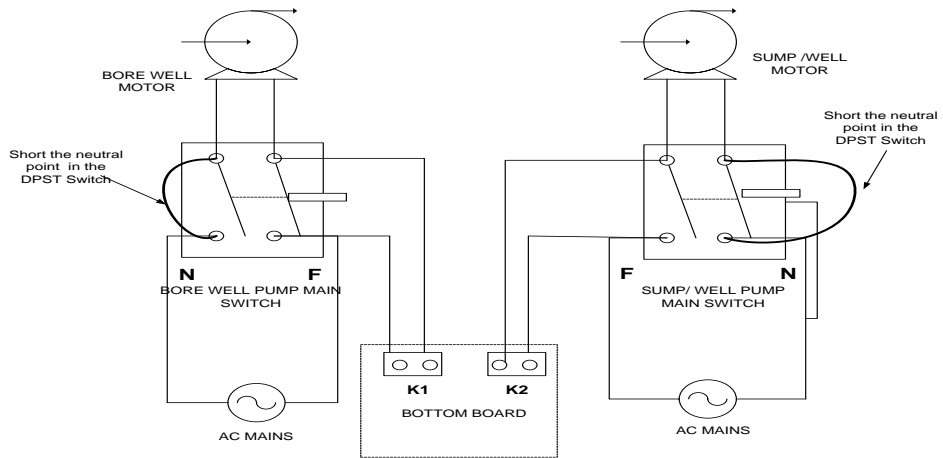


Fig 4

#353, Jeevanandham Road, Sanganur, Rathinapuri Po, Coimbatore – 641027.Tamilnadu, INDIA.

Phone: +91-422-2330724 Mobile: +91-98439 99001

Email: info@d-fxtechnologies.in, Website: www.d-fxtechnologies.in